

ISEN60: 60Wp

Features



- Excellent Power Output with +ve Tolerance.
- 5 Year Limited Product Warranty
- 25 Year Linear Power Guarantee
- Generate Power even at Low Light
- High Performance Modules with 14.80% efficiency.
- PID Resistance

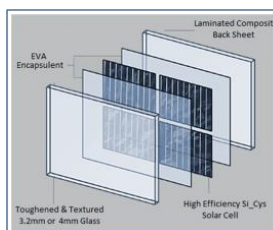
- ARC, Ultra-clear toughened and textured glass
- Multi layer tedlar® and Fast Cure EVA
- Reinforced anodized aluminium frame
- Pre-drilled frame for easy mounting
- IP-65 rated Junction Box
- Solar MC4 compatible connector

Applications

- On-grid systems
- BIPV
- Solar farms
- Standalone (off-grid) systems

Constructional Characteristics

- Frame
- Glass
- EVA
- Cells
- Back sheet

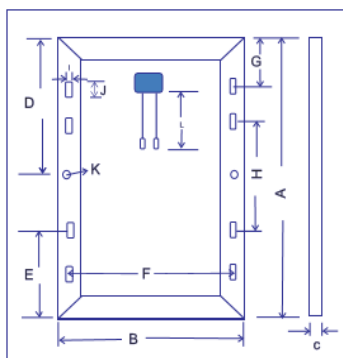


Certifications

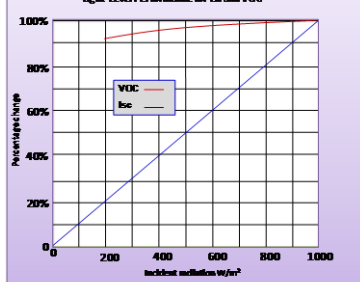
- IEC 61215
- IEC 61701 (Salt Mist Test)
- NABL-MNRE (UL) Certified
- ISO 9001-2015; ISO 14001-2015

Specifications	ISEN60
Cell	Multicrystalline Solar Cell
Electrical Characteristics	
Open Circuit Voltage (Voc)	22.13 V
Optimum Operating Voltage (Vmp)	18.04 V
Short Circuit Current (Isc)	3.53 A
Optimum operating Current (Imp)	3.34 A
Power at STC (Pmax)	60 W
Module Efficiency (η)%	14.80%
Module Fill Factor (FF)%	77.10%
Operating Conditions	- 40 C to + 85 C at 85% RH
Temperature Co-efficient for Voc/ C (β)	-0.34%
Temperature Co-efficient for power/ C (γ)	-0.40%
NOCT	45°C ± 2°C
Mechanical Characteristics	
Weight	5.1 Kg
Module Dimension (A) x (B) x (C)	610 x 666 x 35 mm
Mounting Hole (Oblong) (I x J)	7 x 12 mm
Mounting Hole CTC distance - vertical (H)	305 mm
Mounting Hole distance from corner (E)	153 mm
Mounting Hole CTC distance - horizontal (F)	631 mm

Frame Design



High-Level Performance for Isc and Voc



Linear Power Guarantee on En-Icon PV modules
97% upto 1 year then @ 0.63% / year

